

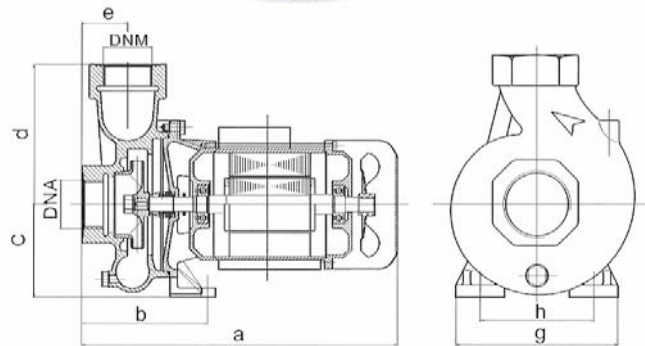
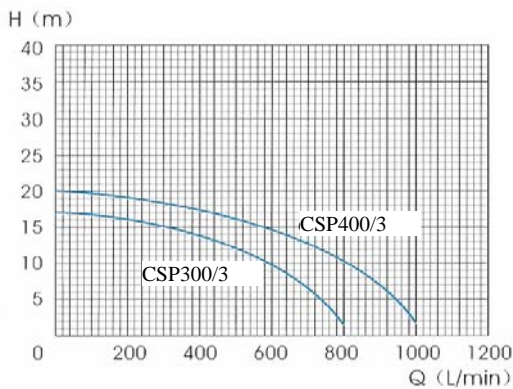
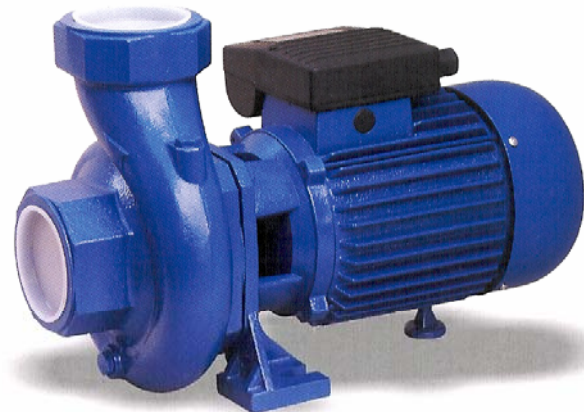
CSP300 AND CSP400 PUMPS

Brief

The pump is suitable for civil and industrial uses to pump clean water and chemically non-aggressive liquid. They have a compact size and are extremely reliable, very simple to use and almost maintenance-free.

Main Features

- Pump body** Cast iron
- Impeller** Cast iron or Brass (noryl if required)
- Motor** Closed, externally ventilated
- Insulation Class** B
- Protection Class** IP44
- Duty** Continuously rated
- Mechanical seal** $\varnothing 18$ ceramic steatire



OVERALL & INSTALLATION DIMENSIONS

TYPE	DIMENSIONS														
	DNA	DNM	a	b	c	d	e	f	g	h	i	j	k	l	m
CSP300/3	3"	3"	430	182	114.5	182	80.5	--	200	140	9	--	--	--	--
CSP400/3	3"	3"	445	182	114.5	182	80.5	--	200	140	9	--	--	--	--

TECHNICAL DATA

TYPE	Power		Ampere	R.P.M	Q. Max (L/Min)	H. max (M)	S. Head (M)	TEMP MAX.	TEMP MAX.	PACKAGE DIMENSION			
	HP	KW								A	B	H	
CSP300/3	3	2.2	220/380V	7.2/4.3A	3450	800	17.5	8	80°C	40°C	440	260	335
CSP400/3	4	3	220/380V	10.1/4.3A	3450	1000	20.5	8	80°C	40°C	455	260	335